

UNMATCHED PERFORMANCE



VACUUM FINGERS

*PRECISE, RELIABLE VACUUM FINGERS
COME IN A VARIETY OF DESIGNS TO
MEET YOUR PARTICULAR NEEDS*

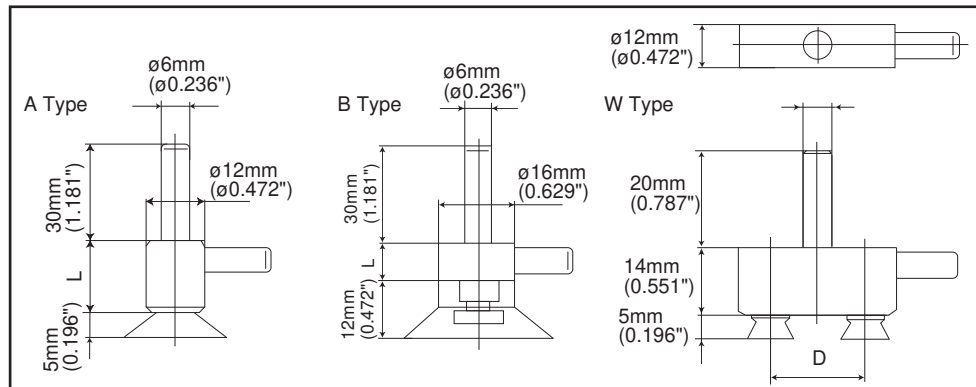
Orii has three different designs of vacuum fingers, including the A-type (small, compact, integrated), B-type (compact and cap screw fitting), and W-type (double fitting of A-type). Lift fingers allow the vacuum cup to be slightly lifted when picking up a workpiece, making it capable of pick-up/separation of meal sheets. Cushion fingers give a slight cushion with the vacuum cup, ensuring more precise and reliable performance.



Vacuum Fingers

Model	Parts No.	Type	L	D	Vacuum Cap Type
YCFA035	T5312A	A	14 mm (0.551")	--	A
YCFA040	T5315A	A	19 mm (0.748")	--	A
YCFA050	T5317A	A	29 mm (1.141")	--	A
YCFA060	T5319A	A	39 mm (1.535")	--	A
YCFA070	T5321A	A	49 mm (1.929")	--	A
YCFB030	T5323A	B	8 mm (0.314")	--	B
YCFB040	T5327A	B	13 mm (0.511")	--	B
YCFB050	T5329A	B	23 mm (0.905")	--	B
YCFB060	T5331A	B	33 mm (1.299")	--	B
YCFB070	T5333A	B	43 mm (1.692")	--	B
YCFB080	T5335A	B	53 mm (2.086")	--	B
YCFB090	T5337A	B	63 mm (2.480")	--	B
YCFW015	T5339A	W	--	15 mm (0.590")	A
YCFW020	T5341A	W	--	20 mm (0.787")	A
YCFW025	T5343A	W	--	25 mm (0.984")	A
YCFW030	T5345A	W	--	30 mm (1.181")	A
YCFW040	T5347A	W	--	40 mm (1.574")	A

Material: Aluminum or Zinc Alloy



An industry leader in pressroom automation for more than 30 years, Oriimec provides robots, transfer systems, coil handling equipment and straightener/feeder combination units to customers worldwide. Manufactured in Japan, the Orii line of equipment is engineered to meet the specific needs of each of our customers. All Orii products sold in the U.S. are paired with expert service and technical support from our Erlanger, KY office.



Oriimec Corporation of America
 1840 Airport Exchange Blvd. #200
 Erlanger, KY 41018
 U.S.A

Phone:
 888.746.3320 (toll free)

Tel: 859.746.3318
 Fax: 859.746.3319
 Email: info@oriimec.com
 Website: www.oriimec.com

THE SOLUTIONS LEADER IN THE METAL AND WIRE FORMING INDUSTRIES

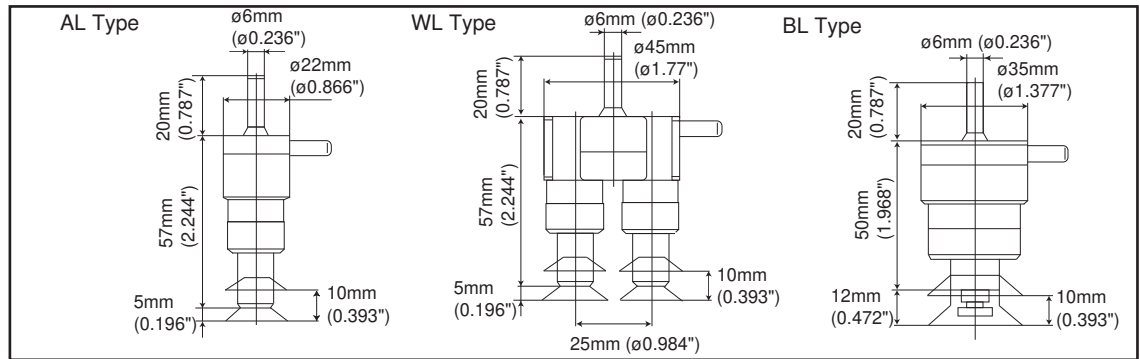
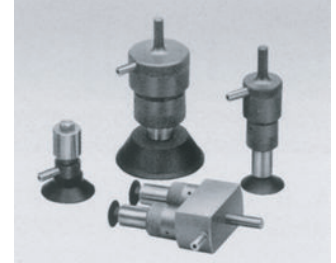
VACUUM FINGERS

Lift Fingers

A lift finger consists of a vacuum cup that is slightly lifted when picking up a workpiece. It is capable of reliable pick up/separation of metal sheets.

Model	Parts No.	Type	Lift	Vacuum Cup Type	Finger Holder Type
YCFAL10	T5355A	AL	10 mm (0.393")	A	YCHA
YCFWL10	T5360A	WL	10 mm (0.393")	A	
YCFBL10	T5362A	BL	10 mm (0.393")	B	

Material: Aluminum Alloy

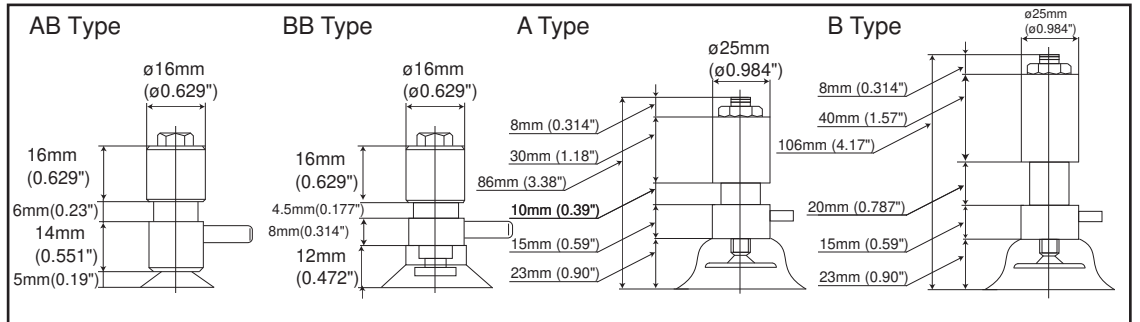


Cushion Fingers

These fingers give a slight cushion with the vacuum cup, ensuring more precise and reliable performance.

Model	Parts No.	Type	Cushion	Vacuum Cup Type	Finger Holder Type
YCFAB06	T5349A	AB	6 mm (0.236")	A	YCHB
YCFBB06	T5354A	BB	4.5 mm (0.177")	B	YCHC
YCFCB10	T3-3268	A	10 mm (0.393")	B	Finger Holder25
YCFCB20	T3-9501	B	22 mm (0.866")	B	Finger Holder25

Material: Aluminum Alloy



An industry leader in pressroom automation for more than 30 years, Oriimec provides robots, transfer systems, coil handling equipment and straightener/feeder combination units to customers worldwide. Manufactured in Japan, the Orii line of equipment is engineered to meet the specific needs of each of our customers. All Orii products sold in the U.S. are paired with expert service and technical support from our Erlanger, KY office.



Oriimec Corporation of America
 1840 Airport Exchange Blvd. #200
 Erlanger, KY 41018
 U.S.A

Phone:
 888.746.3320 (toll free)

Tel: 859.746.3318
 Fax: 859.746.3319
 Email: info@oriimec.com
 Website: www.oriimec.com