

UNMATCHED PERFORMANCE



# VACUUM FINGERS

**PRECISE, RELIABLE VACUUM FINGERS  
COME IN A VARIETY OF DESIGNS TO  
MEET YOUR PARTICULAR NEEDS**

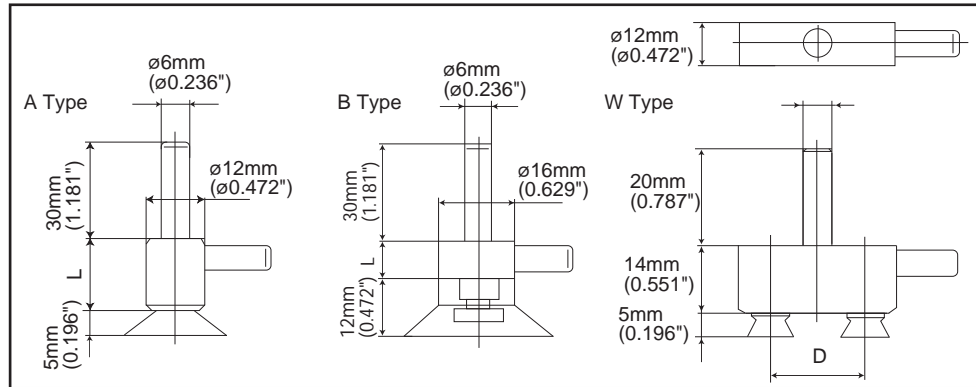
Orii has three different designs of vacuum fingers, including the A-type (small, compact, integrated), B-type (compact and cap screw fitting), and W-type (double fitting of A-type). Lift fingers allow the vacuum cup to be slightly lifted when picking up a workpiece, making it capable of pick-up/separation of meal sheets. Cushion fingers give a slight cushion with the vacuum cup, ensuring more precise and reliable performance.



## Vacuum Fingers

Model	Parts No.	Type	L	D	Vacuum Cap Type
YCFA035	T5312A	A	14 mm (0.551")	--	A
YCFA040	T5315A	A	19 mm (0.748")	--	A
YCFA050	T5317A	A	29 mm (1.141")	--	A
YCFA060	T5319A	A	39 mm (1.535")	--	A
YCFA070	T5321A	A	49 mm (1.929")	--	A
YCFB030	T5323A	B	8 mm (0.314")	--	B
YCFB040	T5327A	B	13 mm (0.511")	--	B
YCFB050	T5329A	B	23 mm (0.905")	--	B
YCFB060	T5331A	B	33 mm (1.299")	--	B
YCFB070	T5333A	B	43 mm (1.692")	--	B
YCFB080	T5335A	B	53 mm (2.086")	--	B
YCFB090	T5337A	B	63 mm (2.480")	--	B
YCFW015	T5339A	W	--	15 mm (0.590")	A
YCFW020	T5341A	W	--	20 mm (0.787")	A
YCFW025	T5343A	W	--	25 mm (0.984")	A
YCFW030	T5345A	W	--	30 mm (1.181")	A
YCFW040	T5347A	W	--	40 mm (1.574")	A

Material: Aluminum or Zinc Alloy



An industry leader in pressroom automation for more than 30 years, Oriimec provides robots, transfer systems, coil handling equipment and straightener/feeder combination units to customers worldwide. Manufactured in Japan, the Orii line of equipment is engineered to meet the specific needs of each of our customers. All Orii products sold in the U.S. are paired with expert service and technical support from our Erlanger, KY office.



Oriimec Corporation of America  
1840 Airport Exchange Blvd. #200  
Erlanger, KY 41018  
U.S.A

Phone:  
888.746.3320 (toll free)

Tel: 859.746.3318  
Fax: 859.746.3319  
Email: info@oriimec.com  
Website: www.oriimec.com

THE SOLUTIONS LEADER IN THE METAL AND WIRE FORMING INDUSTRIES

